



# TAI-SAW TECHNOLOGY CO., LTD.

No. 3, Industrial 2nd Rd., Ping-Chen Industrial District,  
Taoyuan, 324, Taiwan, R.O.C.

TEL: 886-3-4690038 FAX: 886-3-4697532

E-mail: [ttsales@mail.taisaw.com](mailto:ttsales@mail.taisaw.com) Web: [www.taisaw.com](http://www.taisaw.com)

## Approval Sheet For Product Specification

Issued Date:

Product Name: SAW Resonator 671.086 MHz SMD 3X3 mm

TST Parts No.: TC0334A

Customer Parts No.: \_\_\_\_\_

Company: _____
Division: _____
Approved by : _____
Date: _____

Checked by: Paul Ni

Approval by: Francis Chen

Date: 2006/10/27



# TAI-SAW TECHNOLOGY CO., LTD.

No. 3, Industrial 2nd Rd., Ping-Chen Industrial District,  
Taoyuan, 324, Taiwan, R.O.C.

TEL: 886-3-4690038 FAX: 886-3-4697532

E-mail: [tstsales@mail.taisaw.com](mailto:tstsales@mail.taisaw.com) Web: [www.taisaw.com](http://www.taisaw.com)

## SAW Resonator 671.086 MHz

MODEL NO.: TC0334A

REV. NO.: 1.0

### A. FEATURES:

1. 1-Port Resonator.

### B. MAXIMUM RATING:

1. Input Power Level: 0 dBm

2. DC voltage: 5 V

3. Operating Temperature: -40°C to +85°C

4. Storage Temperature: -40°C to +85°C

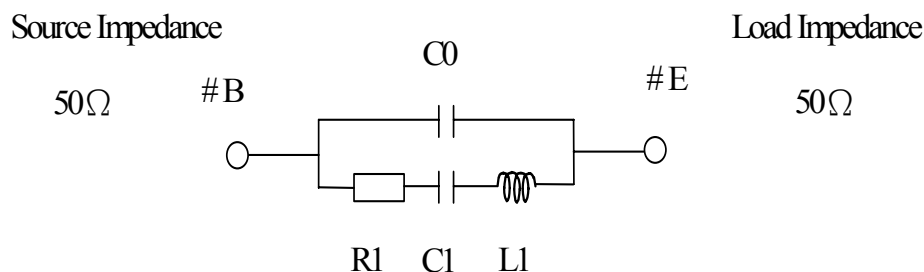
### C. ELECTRICAL CHARACTERISTICS:

Characteristic	Units	Minimum	Typical	Maximum
Center frequency <b>Fr</b>	<b>MHz</b>	671.046	671.086	671.126
Insertion Loss <b>IL</b>	<b>dB</b>	-	1.25	2.0
Equivalent Elements				
Motional capacitance <b>C1</b>	<b>fF</b>	-	1.48	-
Motional inductance <b>L1</b>	<b>μH</b>	-	38.24	-
Motional resistance <b>R1</b>	<b>Ohm</b>	-	14.75	-
Parallel capacitance <b>Co</b>	<b>pF</b>	-	2.79	-
Temp.coeff.	<b>ppm/c*2</b>	-	0.032	-
Turnover To	<b>deg.C</b>	-	25	-
Package size		SMD 3.0X3.0X1.4mm		

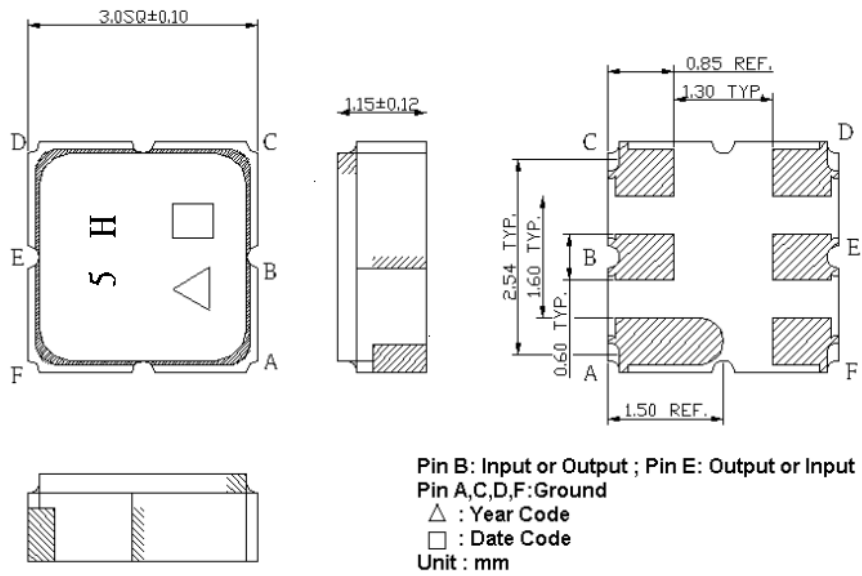
RoHS Compliant  
Lead free  
Lead-free soldering

### D. EQUIVIRENT CIRCUIT:

One-Port Resonator:



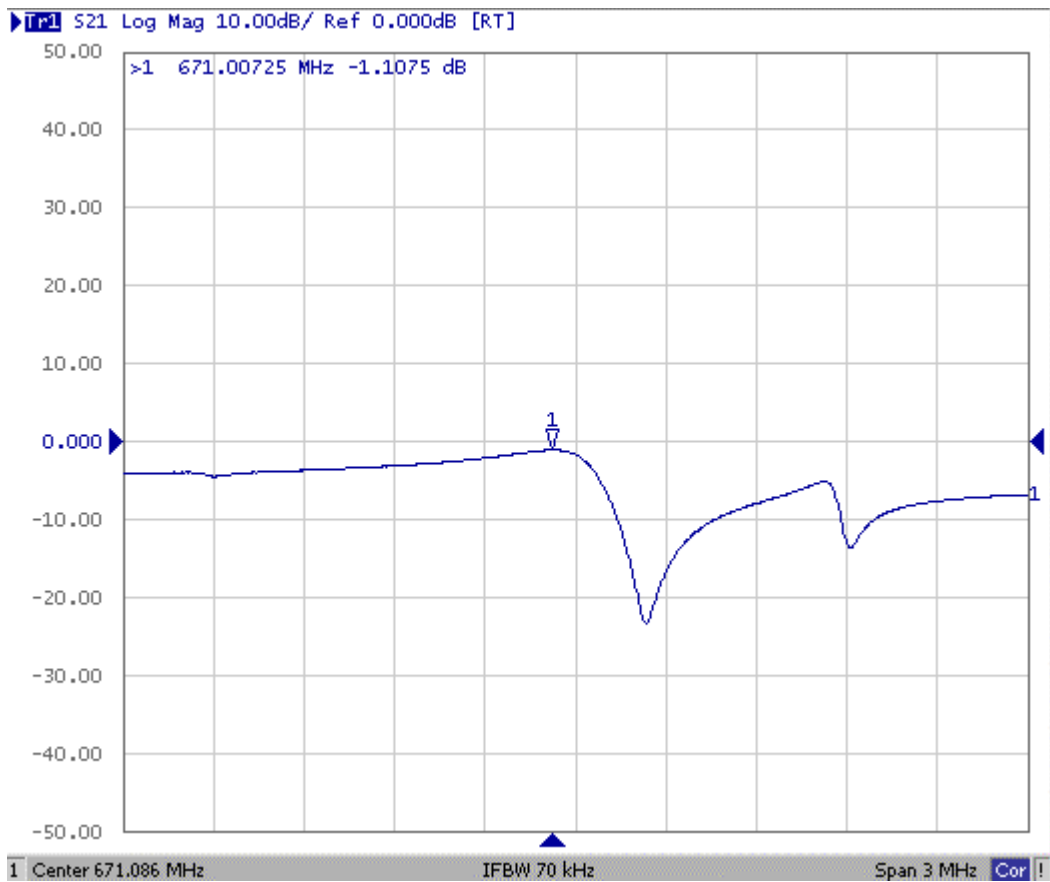
**E. OUTLINE DRAWING:**



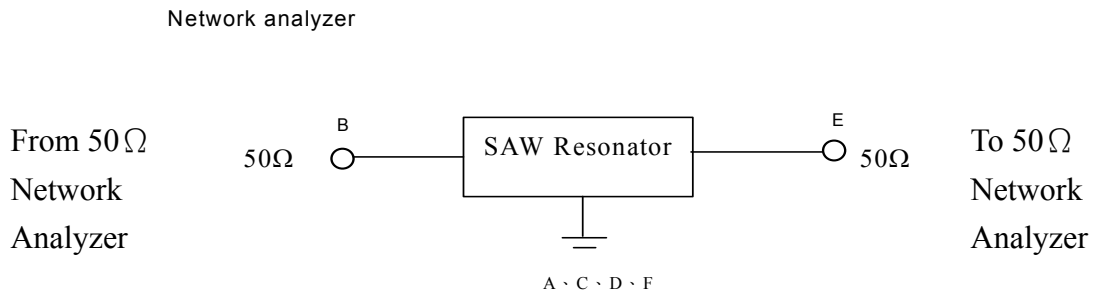
Date code: Provided by planer each year

Year code: 6 for 2006,7 for 2007,...

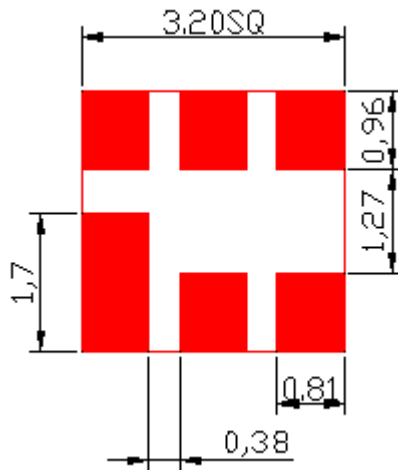
**F. FREQUENCY CHARACTERISTICS**



G. TEST CIRCUIT:

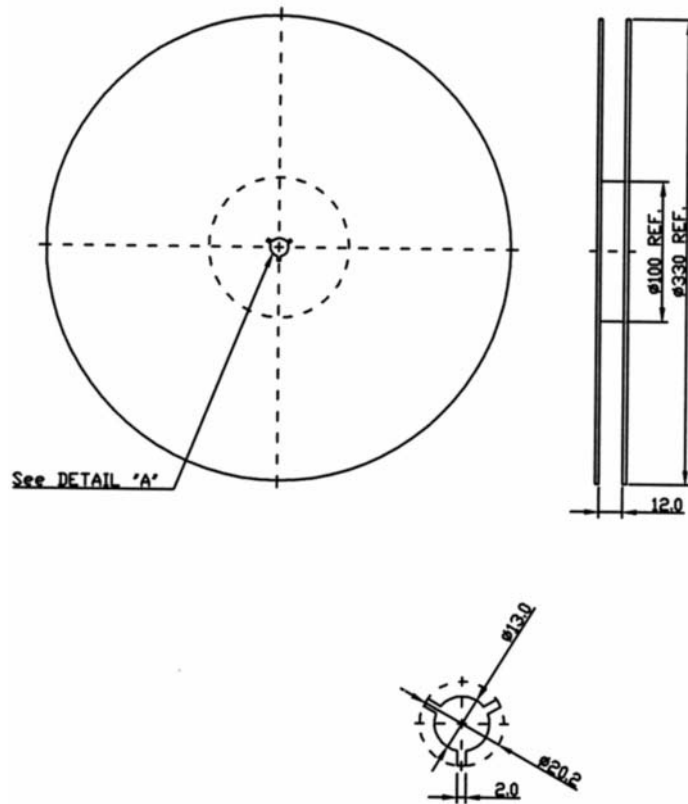


H. LAND PATTERN:

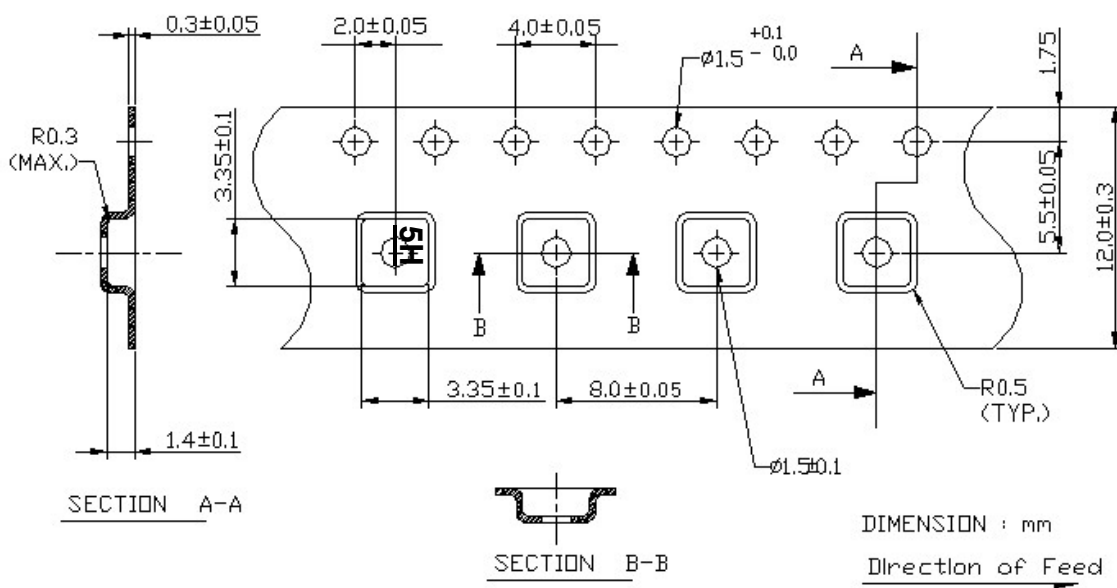


I. PACKING:

1. REEL DIMENSION



2. TAPE DIMENSION



**J. RECOMMENDED REFLOW PROFILE:**

